

YLB Product Catalog

Youth Electronics
Solutions for Connection



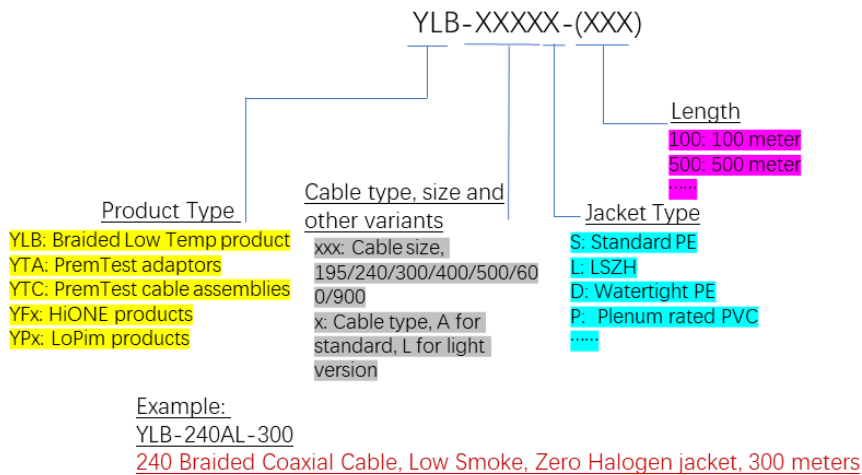
Youth Electronics

Contents

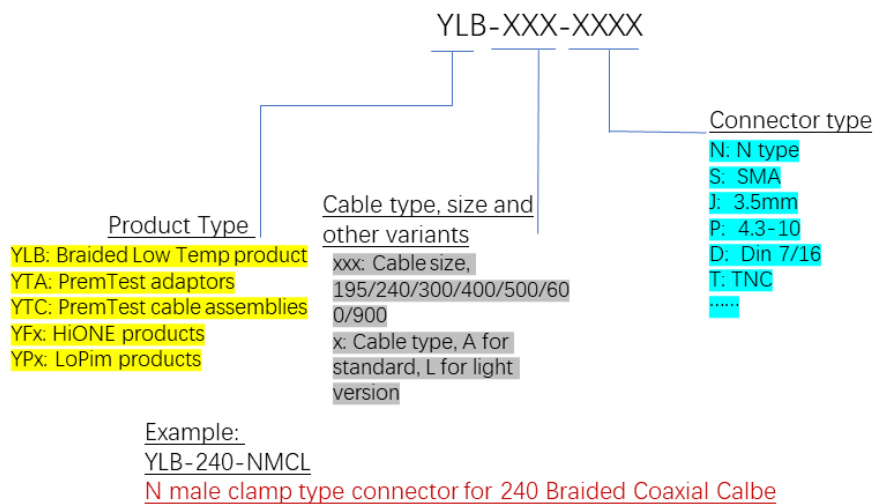
YLB™ Product Nomenclature-----	3
YLB™ Cross Reference to LMR/CNT Cable-----	4
YLB™ Crimp and Clamp type of Connectors -----	6
YLB™ Tools and Accessories-----	7
Service and customization-----	8

YLB™ Product Nomenclature

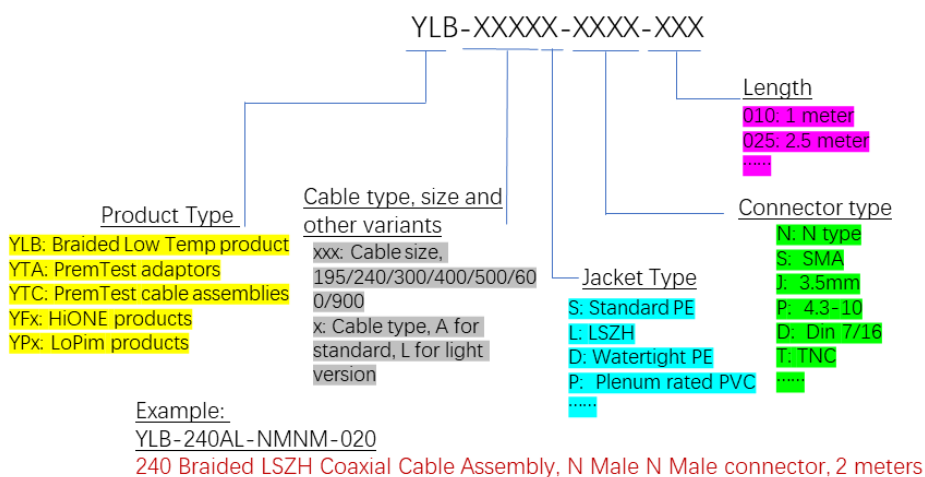
YLB Cable Product Part Number Nomenclature



YLB Connector Product Part Number Nomenclature



YLB Cable Assembly Product Part Number Nomenclature



YLB™ Cross Reference to LMR/CNT

Application

- Antenna and Feeder system
- In cabinet system
- Indoor DAS
- Microwave System



Construction	YLB-195A		YLB-195L		LMR-195		CNT-195	
	Material	Dia.(mm)	Material	Dia.(mm)	Material	Dia.(mm)	Material	Dia.(mm)
Inner conductor	Solid BC*	0.94	Solid BC	0.94	Solid BC	0.94	Solid BC	0.94
Dielectric	Foam PE**	2.79	Foam PE	2.79	Foam PE	2.79	Foam PE	2.79
Outer conductor	Aluminum Tape	2.95	Aluminum Tape	2.95	Aluminum Tape	2.95	Aluminum Tape	2.95
Braiding	Tinned Copper	3.53	Tinned CCA***	3.53	Tinned Copper	3.53	Tinned Copper	3.53
Jacket	PE/FRPE	4.95	PE/FRPE	4.95	PE/FRPE	4.95	PE/FRPE	4.95
Construction	YLB-240A		YLB-240L		LMR-240		CNT-240	
	Material	Dia.(mm)	Material	Dia.(mm)	Material	Dia.(mm)	Material	Dia.(mm)
Inner conductor	Solid BC	1.42	Solid BC	1.42	Solid BC	1.42	Solid BC	1.42
Dielectric	Foam PE	3.81	Foam PE	3.81	Foam PE	3.81	Foam PE	3.81
Outer conductor	Aluminum Tape	3.94	Aluminum Tape	3.94	Aluminum Tape	3.94	Aluminum Tape	3.94
Braiding	Tinned Copper	4.52	Tinned CCA	4.52	Tinned Copper	4.52	Tinned Copper	4.52
Jacket	PE/FRPE	6.1	PE/FRPE	6.1	PE/FRPE	6.1	PE/FRPE	6.1
Construction	YLB-300A		YLB-300L		LMR-300		CNT-300	
	Material	Dia.(mm)	Material	Dia.(mm)	Material	Dia.(mm)	Material	Dia.(mm)
Inner conductor	Solid BC	1.78	Solid BC	1.78	Solid BC	1.78	Solid BC	1.78
Dielectric	Foam PE	4.83	Foam PE	4.83	Foam PE	4.83	Foam PE	4.83
Outer conductor	Aluminum Tape	4.98	Aluminum Tape	4.98	Aluminum Tape	4.98	Aluminum Tape	4.98
Braiding	Tinned Copper	5.72	Tinned CCA	5.72	Tinned Copper	5.72	Tinned Copper	5.72
Jacket	PE/FRPE	7.62	PE/FRPE	7.62	PE/FRPE	7.62	PE/FRPE	7.62

*: BC - Bare Copper

** : PE - polyethylene

***: CCA - Copper Clad Aluminum

YLB™ Cross Reference to LMR/CNT

Construction	YLB-400A		YLB-400L		LMR-400		CNT-400	
	Material	Dia.(mm)	Material	Dia.(mm)	Material	Dia.(mm)	Material	Dia.(mm)
Inner conductor	Solid CCA	2.74	Solid CCA	2.74	Solid CCA	2.74	Solid CCA	2.74
Dielectric	Foam PE	7.24	Foam PE	7.24	Foam PE	7.24	Foam PE	7.24
Outer conductor	Aluminum Tape	7.39	Aluminum Tape	7.39	Aluminum Tape	7.39	Aluminum Tape	7.39
Braiding	Tinned Copper	8.13	Tinned CCA	8.13	Tinned Copper	8.13	Tinned Copper	8.13
Jacket	PE/FRPE	10.29	PE/FRPE	10.29	PE/FRPE	10.29	PE/FRPE	10.29
Construction	YLB-500A		YLB-500L		LMR-500		CNT-500 (NA)	
	Material	Dia.(mm)	Material	Dia.(mm)	Material	Dia.(mm)		
Inner conductor	Solid CCA	3.61	Solid CCA	3.61	Solid CCA	3.61		
Dielectric	Foam PE	9.40	Foam PE	9.40	Foam PE	9.40		
Outer conductor	Aluminum Tape	9.55	Aluminum Tape	9.55	Aluminum Tape	9.55		
Braiding	Tinned Copper	10.29	Tinned CCA	10.29	Tinned Copper	10.29		
Jacket	PE/FRPE	12.70	PE/FRPE	12.70	PE/FRPE	12.70		
Construction	YLB-600A		YLB-600L		LMR-600		CNT-600	
	Material	Dia.(mm)	Material	Dia.(mm)	Material	Dia.(mm)	Material	Dia.(mm)
Inner conductor	Solid CCA	4.47	Solid CCA	4.47	Solid CCA	4.47	Solid CCA	4.47
Dielectric	Foam PE	11.56	Foam PE	11.56	Foam PE	11.56	Foam PE	11.56
Outer conductor	Aluminum Tape	11.71	Aluminum Tape	11.71	Aluminum Tape	11.71	Aluminum Tape	11.71
Braiding	Tinned Copper	12.5	Tinned CCA	12.5	Tinned Copper	12.5	Tinned Copper	12.5
Jacket	PE/FRPE	14.99	PE/FRPE	14.99	PE/FRPE	14.99	PE/FRPE	14.99
Construction	YLB-900A				LMR-900			
	Material	Dia.(mm)			Material	Dia.(mm)		
Inner conductor	Copper Tube	6.65			Copper Tube	6.65		
Dielectric	Foam PE	17.27			Foam PE	17.27		
Outer conductor	Aluminum Tape	17.42			Aluminum Tape	17.42		
Braiding	Tinned Copper	18.59			Tinned Copper	18.59		
Jacket	PE/FRPE	22.10			PE/FRPE	22.10		

YLB™ Crimp and Clamp type of Connectors

Application

- Antenna and Feeder system
- In cabinet system
- Indoor DAS
- Microwave System



Construction & Characteristics	Description
Male contact	Brass, tri-metal plating
Female contact	Bronze or Beryllium copper, silver plating
Body and Outer Contacts	Brass, tri-metal plating
Clamping component	Brass, tri-metal or nickel plating
Insulator	PTFE per ASTM-D1457
Gasket	Silicone rubber (weatherproof), ZZ-R-75
Impedance(Ohm)	50
Mating Life	500
Frequency range(GHz)	DC-6GHz
VSWR	<1.25
Operation temperature (°C)	-55~+150

Product ordering guide

Interface Cable Type	Din 7/16 M	Din 7/16 MR	N M	N F	N MR	TNC M	TNC F	TNC MR	SMA M	SMA MR
YLB-195 Crimp	NA	NA	A	A	A	A	A	NA	A	A
YLB-240 Crimp	A	A	A	A	A	A	A	NA	A	A
YLB-240 Clamp	NA	NA	NA	NA	NA	A	A	A	NA	NA
YLB-300 Crimp	NA	NA	NA	A	A	A	NA	NA	NA	NA
YLB-300 Clamp	NA	NA	A	A	A	A	A	A	A	NA
YLB-400 Crimp	NA	NA	A	A	A	A	A	A	A	NA
YLB-400 Clamp	A	A	A	A	A	A	A	A	A	A
YLB-500 Clamp	A	NA	A	A	A	A	NA	NA	NA	NA
YLB-600 Clamp	A	NA	A	A	A	NA	NA	NA	NA	NA
YLB-900 Clamp	A	NA	A	A	A	NA	NA	NA	NA	NA

Note:

NA: Not available

A: Available. No stock

YLB™ Tools and Accessories
Product ordering guide

Product Cable Type	Weatherproof kit	Grounding kit	Hanger	Preparation tool
YLB-195	A	A	A	NA
YLB-240	A	A	A	NA
YLB-300	A	A	A	A
YLB-400	A	A	A	A
YLB-500	A	A	A	NA
YLB-600	A	A	A	NA
YLB-900	A	A	A	NA

Note:
NA: Not available
A: Available. No stock



Service on line and offline

➤ Test solution proposal

Our expert team on test are ready to propose complete test solution for actual, precise test result for any specific test requirement, including test scheme, test method, test standard based, test equipment, etc.

➤ Test report

We could do specific test for DUT based on specific test requirement. Complete test report would be shared under the responsibility of accuracy and validity.

Customization

➤ We are well prepared to provide any customization to help our customer on specific project.

Normally response time 3 days for product design and data sheet; 3 weeks for sample and test result.

Anything we would like to get more information regarding test, please visit our website or contact us through

Tech@youth-electronics.com

Sales@youth-electronics.com